



- BOLZONI**
- BT**
- BULLI**
- BV VESTERGAARD**
- CROWN**
- EUROLIFTER**
- FABA**
- JUNGHEINRICH**
- KINGLIFT**
- KENTRUCK**
- LANSING**
- LIFTER**
- LINDE**
- LOGITRANS**
- METILEV**
- MIC**
- NIELSEN HOLST**
- STEINBOCK**
- ROCLA**
- STILL WAGNER**
- TOYOTA**
- YALE**

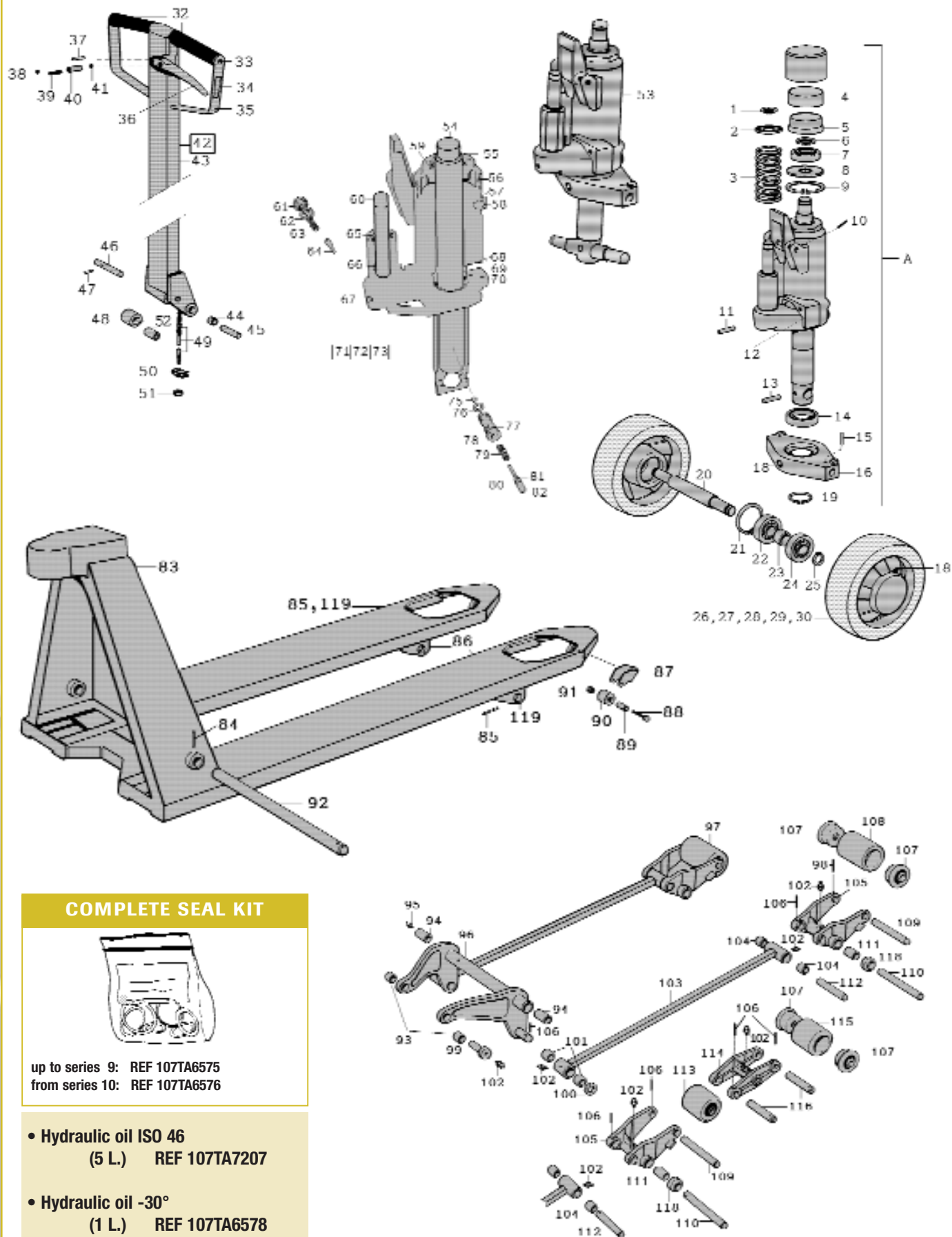
We stock a full range of manual and electric pallettruck parts such as wheels, switches, pump motors, hydraulic units, pull rods, shafts, brackets and seal kits.

For all other types please contact us !

PALLETTRUCK PARTS

OEM references are purely indicative and do not imply that parts originate from the forklift manufacturer.

SPARE PARTS USED FOR BT LIFTER TYPE L2000



For all other types or makes, please contact us.

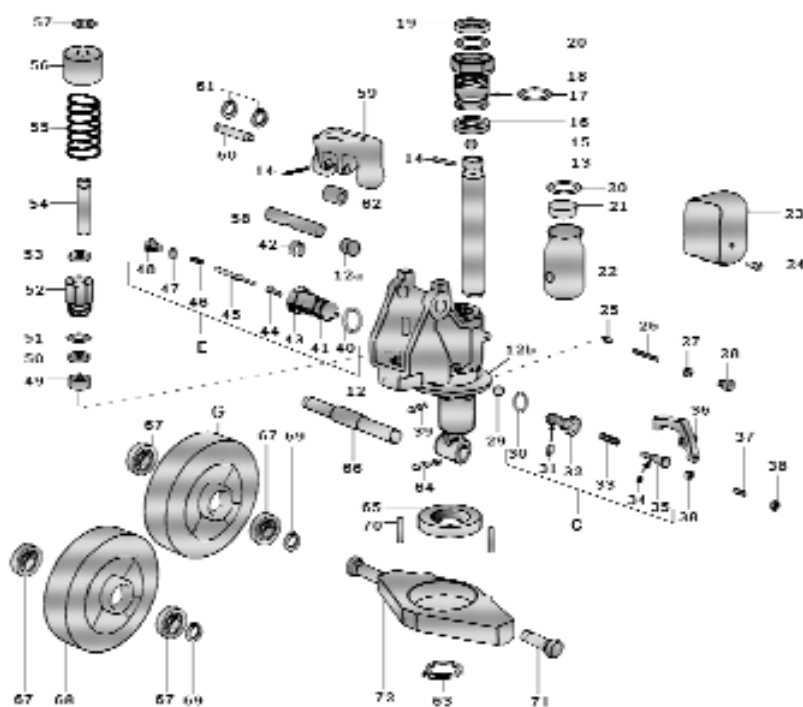
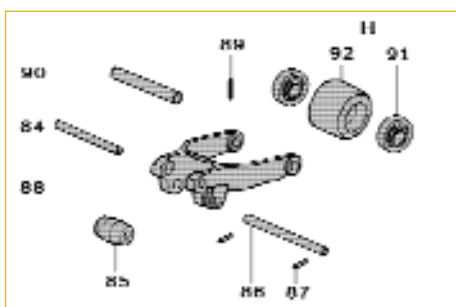
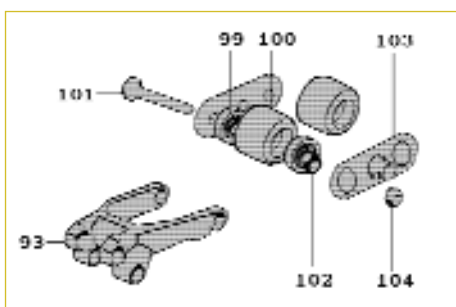
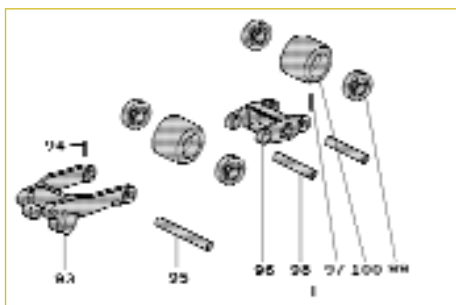
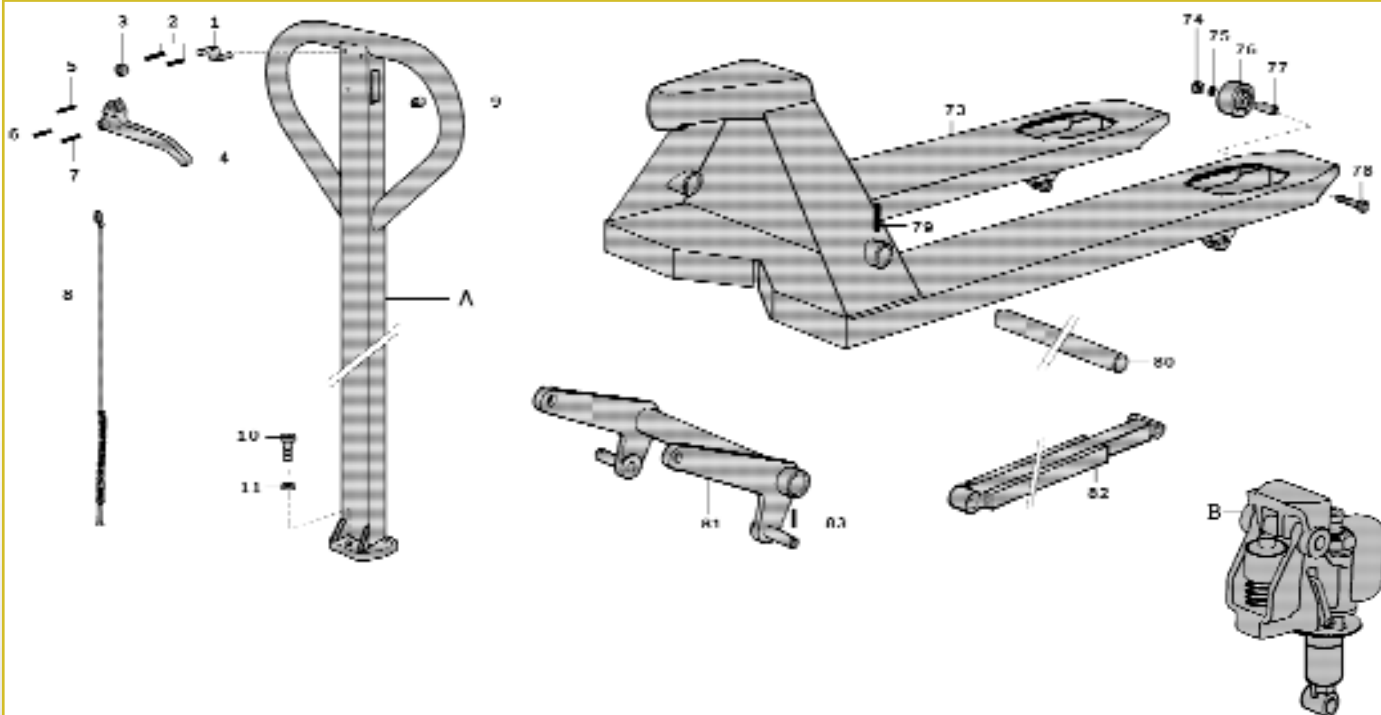
OEM references are purely indicative and do not imply that parts originate from the forklift manufacturer.

Fig.	REF	Qty.	Description	Fig.	REF	Qty.	Description
A	107TA6579	1	Hydraulic unit compl.	73	107TA6648	-	Packing set valve unit
1	107TA6580	1	Locking ring	75	107TA6641	1	Steel ball
2	107TA6581	1	Washer	76	105TA1358	1	Washer
3	105TA4608	1	Spring	77	107TA6649	1	O-Ring
4	107TA6582	1	Insert	78	107TA6650	1	Piston guide
5	107TA6583	1	Bearing cup	79	107TA6651	1	Spring
6	107TA6584	1	Locking ring	80	107TA6652	1	Sealing ring
7	107TA6585	1	Ball bearing	81	107TA6653	1	Guide
8	107TA6586	1	Washer	82	106TA7043	1	Piston
9	107TA6587	1	Locking ring	83	-	1	Body compl.
10	107TA6588	2	Locking pin	84	107TA6592	1	Locking pin
11	107TA6589	1	Locking pin	85	107TA6654	4	Locking pin (L2000/7)
12	107TA6590	1	Lowering arm	86	107TA6655	4	Locking pin (L2000/10)
13	107TA6591	1	Locking pin	87	107TA6656	2	Ear (L2000/7)
14	106TA6779	1	Ball bearing	88	107TA6657	2	Ear (L2000/10)
15	107TA6592	2	Locking ring	89	107TA6658	2	Clamp
16	106TA6781	1	Plate	90	107TA6659	2	Screw
18	107TA6593	1	Greasing nipple (L2000/7)	91	107TA6660	2	Distance cap
19	107TA6594	1	Greasing nipple (L2000/10)	92	107TA2891	2	Climber wheel
20	107TA6595	1	Locking ring	93	107TA6661	2	Nut
21	107TA6596	1	Axle	94	107TA6662	1	Axle for torsion tube chassis width 520 mm
22	107TA6597	2	Locking ring	95	105TA1924	2	Bush
23	107TA6598	2	Ball bearing	96	105TA2177	2	Bush
24	105TA1681	2	Distance cap	97	107TA6594	1	Greasing nipple
25	107TA6599	2	Ball bearing	98	107TA6663	1	Torsion tube compl. chassis width 520 mm
26	107TA6600	2	Locking ring	99	107TA6664	2	Single wheel compl. nylon
27	107TA3008	2	Steer wheel rubber	100	107TA6665	2	Single wheel compl. urethane
28	107TA6601	2	Steer wheel rubber (L2000/11-2586500-...)	101	107TA6666	2	Single wheel compl. steel
29	107TA6602	2	Steer wheel steel	102	107TA2928	2	Single wheel compl. nylon (L2000/11-2256000-...)
30	107TA6603	2	Steer wheel poly/nylon	103	107TA6667	2	Single wheel compl. urethane (L2000/11-2256000-...)
31	107TA6604	2	Steer wheel nylon	104	107TA6668	2	Single wheel compl. vulko (L2000/11-2256000-...)
32	107TA6605	2	Steer wheel nylon (L2000/11-2586500-...)	105	107TA6592	1	Locking pin
33	107TA3009	2	Steer wheel urethane	106	107TA6669	2	Arm bolt
34	107TA6606	2	Steer wheel urethane (L2000/11-2586500-...)	107	107TA6670	2	Washer
35	107TA6607	2	Plastic handle (blue)	108	107TA6671	4	Bush
36	107TA6608	2	Screw (L2000/7)	109	107TA6594	8	Greasing nipple
37	107TA6609	2	Screw (L2000/10)	110	107TA6672	2	Push rod compl.
38	107TA6610	1	Sign	111	107TA6673	2	" " fork length 1000 mm
39	107TA6611	2	Clamp	112	105TA4604	2	" " fork length 1070 mm
40	106TA6780	1	Handle	113	107TA6674	2	" " fork length 1150 mm
41	107TA6612	1	Locking pin	114	107TA6674	2	" " fork length 1220 mm
42	107TA6613	2	Ball	115	105TA2174	4	Bush
43	107TA6614	1	Spring	116	106TA8088	2	Wheel fork (L2000/7)
44	107TA6615	1	Cap	117	106TA7393	2	Wheel fork (L2000/10)
45	107TA6616	2	Ball	118	107TA6592	6	Locking pin
46	107TA6617	1	Tow bar compl. (incl. pos. nr 32-41, 43-52)	119	106TA6778	4	Ball bearing
47	107TA6618	1	Tow bar	120	107TA6675	4	Ball bearing (L2000/11-2256000-...)
48	107TA6619	2	Bush	121	105TA4633	2	Wheel body nylon (single wheel)
49	107TA6620	2	Axle	122	107TA2626	2	Wheel body urethane (single wheel) (L2000/7)
50	107TA6621	1	Axle	123	107TA6676	2	Wheel body urethane (single wheel) (L2000/10)
51	107TA6622	1	Locking pin	124	107TA2957	2	Wheel body steel (single wheel) (L2000/7)
52	107TA6623	1	Roller	125	107TA2968	2	Wheel body steel (single wheel) (L2000/10)
53	107TA6624	1	Valve bar compl.	126	107TA6677	2	Axle
54	107TA6625	1	Spring	127	107TA6678	2	Axle (L2000/7)
55	107TA6626	1	Nut	128	107TA6679	2	Axle (L2000/10)
56	107TA6627	1	Bush	129	105TA2175	4	Bush
57	107TA6628	1	Hydraulic unit (L2000/10)	130	107TA6680	2	Axle (L2000/7)
58	107TA6629	1	Piston	131	107TA6681	2	Axle (L2000/10)
59	107TA6630	1	Top nut	132	107TA2936	4	Bogie wheel compl. nylon
60	107TA6631	1	O-ring	133	107TA6682	4	Bogie wheel compl. urethane
61	107TA6632	1	Washer	134	107TA2957	4	Bogie wheel compl. steel
62	107TA6633	1	Screw	135	107TA2935	4	Bogie wheel compl. nylon (L2000/11-2256000-...)
63	107TA6634	1	Seal	136	107TA6683	4	Bogie wheel compl. urethane (L2000/11-2256000-...)
64	107TA6635	1	Piston (L2000/7)	137	107TA2788	4	Bogie wheel compl. vulko (L2000/11-2256000-...)
65	107TA6636	1	Piston (L2000/10)	138	107TA6684	2	Bogie fork
66	105TA1188	1	Screw	139	107TA6685	4	Wheel body nylon (Bogie)
67	107TA6637	1	Washer	140	107TA6686	4	Wheel body urethane (Bogie)
68	107TA6638	1	Valve spring	141	107TA6687	4	Wheel body steel (Bogie)
69	107TA6639	1	Valve cone	142	106TA7044	4	Axle
70	107TA6640	1	Sealing ring	143	106TA7045	2	Climber wheel compl.
71	107TA6641	1	Locking ring (L2000/7)	144	107TA6656	2	Ear (L2000/7)
72	107TA6642	1	Locking ring (L2000/10)	145	107TA6688	2	Ear (L2000/10)
73	107TA6643	1	Steel ball				
74	107TA6644	1	Locking ring				
75	107TA6645	1	Support ring				
76	107TA6646	1	Sealing ring				
77	107TA6647	-	Packing set pump cylinder (L2000/10)				
78	107TA6648	-	Packing set pump cylinder (L2000/7)				
79	107TA6649	-	Packing set lift cylinder				

SPARE PARTS USED FOR BT LIFTER TYPE L2000

OEM references are purely indicative and do not imply that parts originate from the forklift manufacturer.

SPARE PARTS USED FOR MIC TM 2000



COMPLETE SEAL KIT



REF 107TA6689

For all other types or makes, please contact us.

OEM references are purely indicative and do not imply that parts originate from the forklift manufacturer.

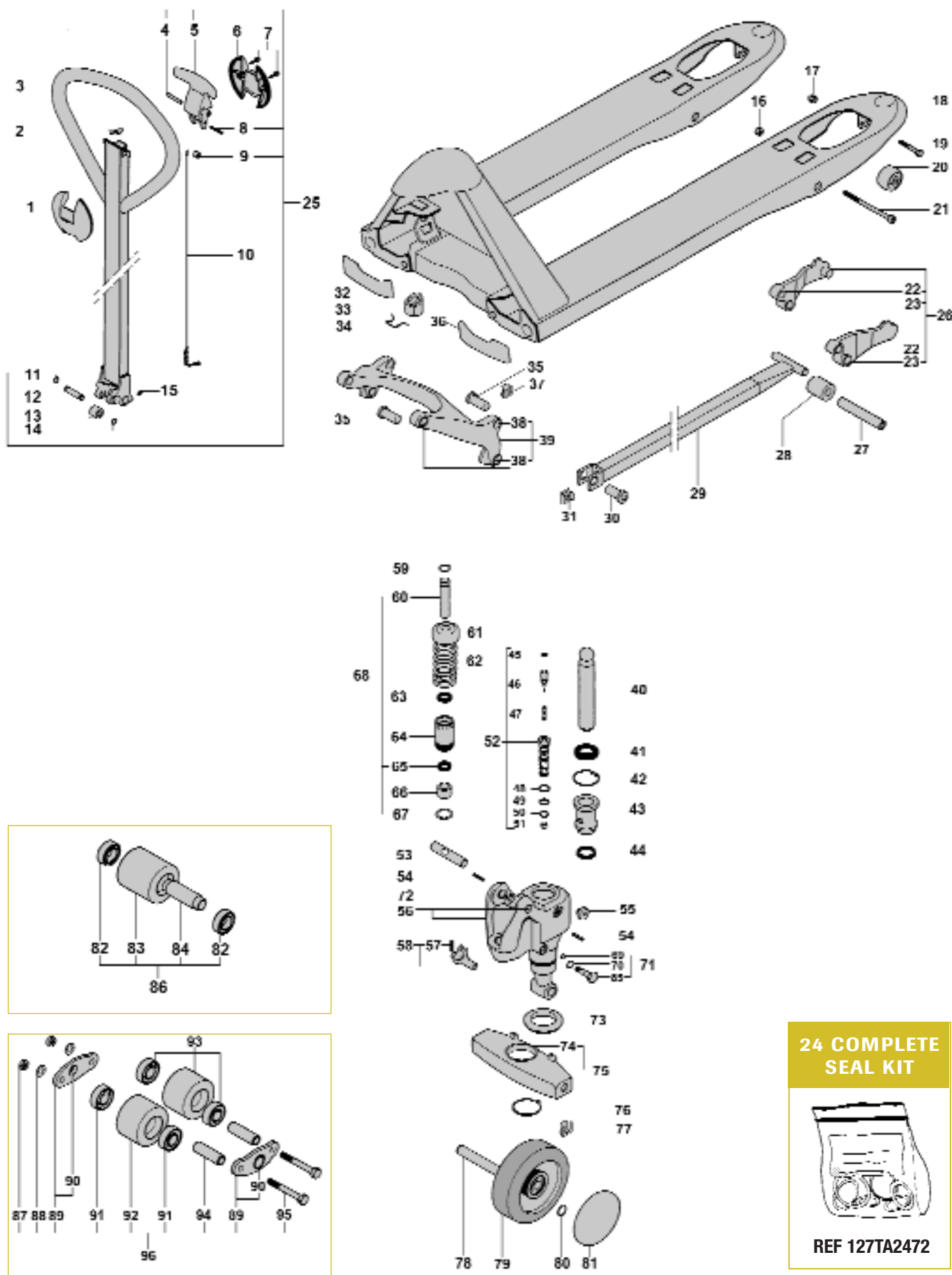
Fig.	REF	Qty.	Description	Fig.	REF	Qty.	Description	
	107TA6690	1	Hydr. unit and compl. steering bar	61	107TA6743	2	Snap ring	
				62	107TA6744	1	Roller	
A	107TA6691	1	Steering bar compl. (1-9)	63	107TA6745	1	Snap ring	
1	107TA6692	1	Spring	64	107TA6724	1	Locking pin	
2	107TA6693	2	Locking pin	65	107TA6746	1	Bearing	
3	105TA2168	1	Bushing	66	107TA6747	1	Steering axle	
4	106TA7042	1	Hand lever					
5	107TA6694	1	Locking pin	G	107TA6748	2	Rubber wheel (67-68)	
6	107TA6695	1	Locking pin		107TA6749	2	Urethane wheel	
7	105TA2607	1	Locking pin		107TA6750	2	Nylon wheel	
8	106TA6773	1	Pulling wire		107TA6751	2	Steel wheel	
9	107TA6696	1	Bushing		107TA6752	2	Rubber wheel	
					107TA6753	4	Bearing	
10	107TA6697	3	Screw	67	107TA6754	2	Rubber steer wheel	
11	107TA6698	3	Washer	68	107TA6755	2	Urethane steer wheel	
					107TA3159	2	Nylon steer wheel	
B	105TA4609	1	Hydr. unit (12-62)		107TA6756	2	Steel steer wheel	
12	107TA6699	1	Housing		107TA3020	2	Wheel rubber	
12a	107TA6700	2	Bushing	69	107TA6757	2	Snap ring	
12b	107TA6701	1	Hood	70	107TA6758	2	Locking pin	
13	107TA6702	1	Rod	71	107TA6759	2	Bolt	
14	107TA6703	2	Locking pin	72	107TA6760	1	Plate	
15	107TA6704	1	Ball	73	-	1	Frame	
16	107TA6705	1	Seal	74	107TA6761	2	Nut	
17	107TA6706	1	O-ring	75	107TA6762	2	Lock washer	
18	107TA6707	1	Piston	76	107TA6763	2	Roller	
19	107TA6708	1	Oil seal	77	105TA1796	2	Bolt	
20	107TA6709	2	O-ring	78	107TA6764	2	Screw	
21	106TA7032	1	Cap rubber	79	107TA6695	1	Locking pin	
22	106TA6772	1	Reservoir	80	107TA6765	1	Axle (540) (*)	
23	106TA7034	1	Cover	81	107TA6766	1	Torsion tube (540) (*)	
24	106TA7038	2	Cowling screw	82	107TA6767	2	Push rod fork length 800 mm	
25	107TA6710	1	Cone		107TA6768	2	Push rod fork length 950 mm	
26	107TA6711	1	Spring		107TA6769	2	Push rod fork length 1150 mm	
27	107TA6712	1	Screw	83	107TA6770	2	Locking pin	
28	107TA6713	1	Bolt	84	107TA6771	2	Axle	
29	107TA6714	1	Ball	85	107TA6772	2	Roller	
				86	106TA7033	2	Axle	
C	106TA7037	1	Valve kit (30 - 35)	87	107TA6770	4	Locking pin	
30	105TA1267	1	Bushing	88	103TA7872	2	Lever	
31	107TA6715	1	O-ring	89	107TA6693	2	Locking pin	
32	107TA6716	1	Bolt	90	107TA6773	2	Axle	
33	107TA6717	1	Spring					
34	107TA6718	1	O-ring	H	107TA6774	2	Compl. forkroller ureth. (91-92)	
35	107TA6719	1	Valve pin		107TA6775	2	Compl. forkroller steel	
					107TA6776	2	Compl. forkroller nylon	
D	107TA6720	1	Compl. lever (36-38)		107TA6753	4	Bearing	
36	107TA6721	1	Lever	91	107TA2533	2	Forkroller urethane	
37	107TA6722	1	Screw	92	107TA6777	2	Forkroller steel	
38	107TA6723	2	Nut		107TA6778	2	Forkroller nylon	
					103TA7872	2	Lever	
39	107TA6724	1	Locking pin	93	107TA6693	2	Locking pin	
				94	107TA6773	2	Axle	
E	107TA6725	1	Valve (40 - 48)	95				
40	105TA1267	1	Bushing		I	107TA6779	2	Compl. wheel fork. ureth. (96-100)
41	107TA6715	1	O-ring		107TA6780	2	Compl. wheel fork steel	
42	107TA6726	1	Ring		107TA6781	2	Compl. wheel fork nylon	
43	107TA6727	1	Bolt		106TA6774	2	Arm	
44	107TA6728	1	Pin		107TA6693	4	Locking pin	
45	107TA6729	1	Pin	96	107TA6782	4	Axle	
46	107TA6730	1	Spring	97	107TA6753	8	Bearing	
47	107TA6731	1	Seal ring	98	107TA2514	4	Wheel fork ureth.	
48	107TA6732	1	Bolt	99	107TA2956	4	Wheel fork steel	
				100	107TA2907	4	Wheel fork nylon	
49	107TA6733	1	Bushing		106TA7039	2	Axle	
50	107TA6734	1	U-sleeve		105TA1621	2	Bushing	
51	105TA1306	1	Seal ring	101	103TA7737	2	Link	
52	107TA6735	1	Bolt	102	107TA6783	2	Nut	
53	107TA6736	1	Ring	103				
54	107TA6737	1	Rod	104				
55	107TA6738	1	Spring					
56	106TA7046	1	Cap					
57	107TA6739	1	Ring					
58	106TA7035	1	Axle					
F	107TA6740	1	Compl. bracket (59-62)					
59	107TA6741	1	Bracket					
60	107TA6742	1	Axle					

** Please indicate the dimensions of the parts*

SPARE PARTS USED FOR MIC TM 2000

OEM references are purely indicative and do not imply that parts originate from the forklift manufacturer.

SPARE PARTS USED FOR MIC TM 22



For all other types or makes, please contact us.

OEM references are purely indicative and do not imply that parts originate from the forklift manufacturer.

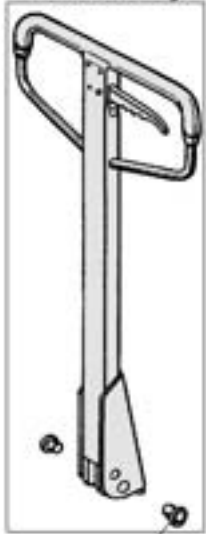
Fig.	REF	Qty.	Description	Fig.	REF	Qty.	Description
1	107TA6785	1	cover	54	107TA6758	1	pin
2	107TA6786	1	spring	55	107TA6825	1	plug
3	107TA6787	1	handle	56	107TA6826	1	pump housing
4	107TA6788	1	axle	57	107TA6827	1	screw
5	107TA6789	1	handle	58	107TA6828	1	lever
6	107TA6790	1	cover	59	107TA6739	1	clips
7	107TA6791	2	screw	60	107TA6829	1	rod
8	107TA6792	1	pin	61	107TA6830	1	cover
9	107TA6793	1	roller	62	107TA6831	1	spring
10	106TA6776	1	rod and chain	63	107TA6832	1	seal
11	107TA6743	1	circlips	64	107TA6833	1	housing
12	107TA6742	1	axle	65	107TA6834	1	seal
13	107TA6744	1	roller	66	107TA6733	1	bushing
14	107TA6743	1	circlips	67	105TA1306	1	ring
15	107TA6794	1	screw	68	107TA6835	1	piston assy.
16	107TA6761	2	nut	69	107TA6836	1	o-ring
17	107TA6795	2	nut	70	107TA6837	1	o-ring
18	-	-	frame	71	107TA6838	1	valve assy.
19	107TA6796	2	bolt	72	107TA6839	2	bushing
20	107TA2888	2	roller	73	107TA6840	1	bearing
21	107TA6797	2	bolt	74	107TA6841	1	bushing
22	107TA6798	4	bushing	75	107TA6842	1	plate
23	107TA6799	4	bushing	76	107TA6843	1	clips
24	127TA2472	1	seal kit TM 22	77	107TA6805	2	clips
25	106TA6775	1	handle assy.	78	107TA6844	1	axle
26	107TA6800	2	lever set	79	107TA6845	2	wheel rubber
27	107TA6801	2	axle		107TA6846	2	wheel poly.
28	107TA6802	2	roller		107TA6847	2	wheel nylon
29	107TA6803	2	link: fork length = 1150 mm	80	107TA6757	2	clips
30	107TA6804	2	axle	81	107TA6848	2	protection
31	107TA6805	2	clips	82	107TA6849	4	bearing
32	107TA6806	1	protection	83	107TA6850	2	wheel poly.
33	107TA6807	1	guide		-	-	wheel nylon
34	107TA6808	1	spring	84	107TA6851	2	tube
35	107TA6804	4	axle	85	107TA6852	1	valve
36	107TA6809	1	protection	86	107TA2752	2	wheel poly.
37	107TA6805	4	clips		107TA6853	2	wheel nylon
38	107TA6810	6	bushing	87	107TA6854	4	nut
39	107TA6811	1	lever: fork width = 520 mm	88	107TA6855	4	washer
40	107TA6812	1	rod	89	107TA6856	4	holder
41	107TA6813	1	seal	90	107TA6857	4	bushing
42	107TA6814	1	clips	91	107TA3176	8	bearing
43	107TA6815	1	housing	92	107TA6858	4	wheel poly.
44	107TA6816	1	seal		-	-	wheel nylon
45	107TA6817	1	o-ring	93	107TA6859	4	wheel poly.
46	107TA6818	1	piston		107TA6860	4	wheel nylon
47	107TA6819	1	spring	94	107TA6861	4	tube
48	107TA6820	1	o-ring	95	107TA6862	4	bolt
49	107TA6821	1	o-ring	96	107TA6863	2	tandem assy. poly.
50	107TA6822	1	o-ring		107TA6864	2	tandem assy. nylon
51	107TA6726	1	clips				
52	107TA6823	1	valve				
53	107TA6824	1	axle				

SPARE PARTS USED FOR MIC TM 22

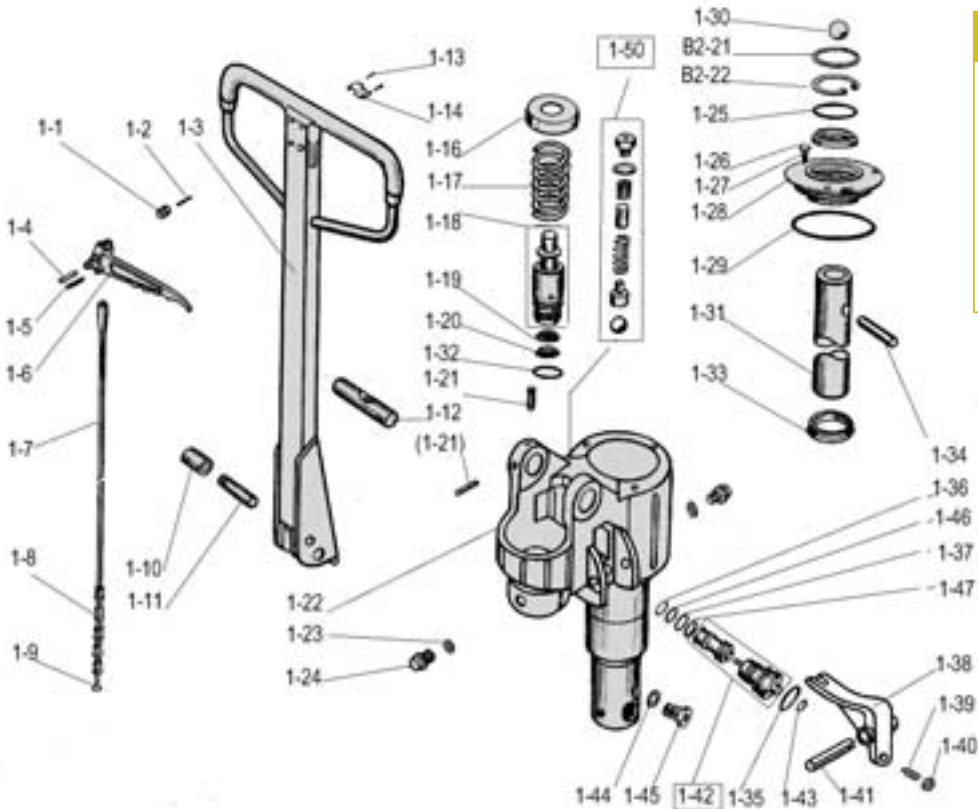
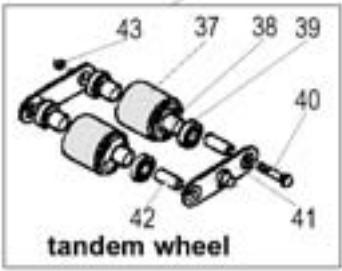
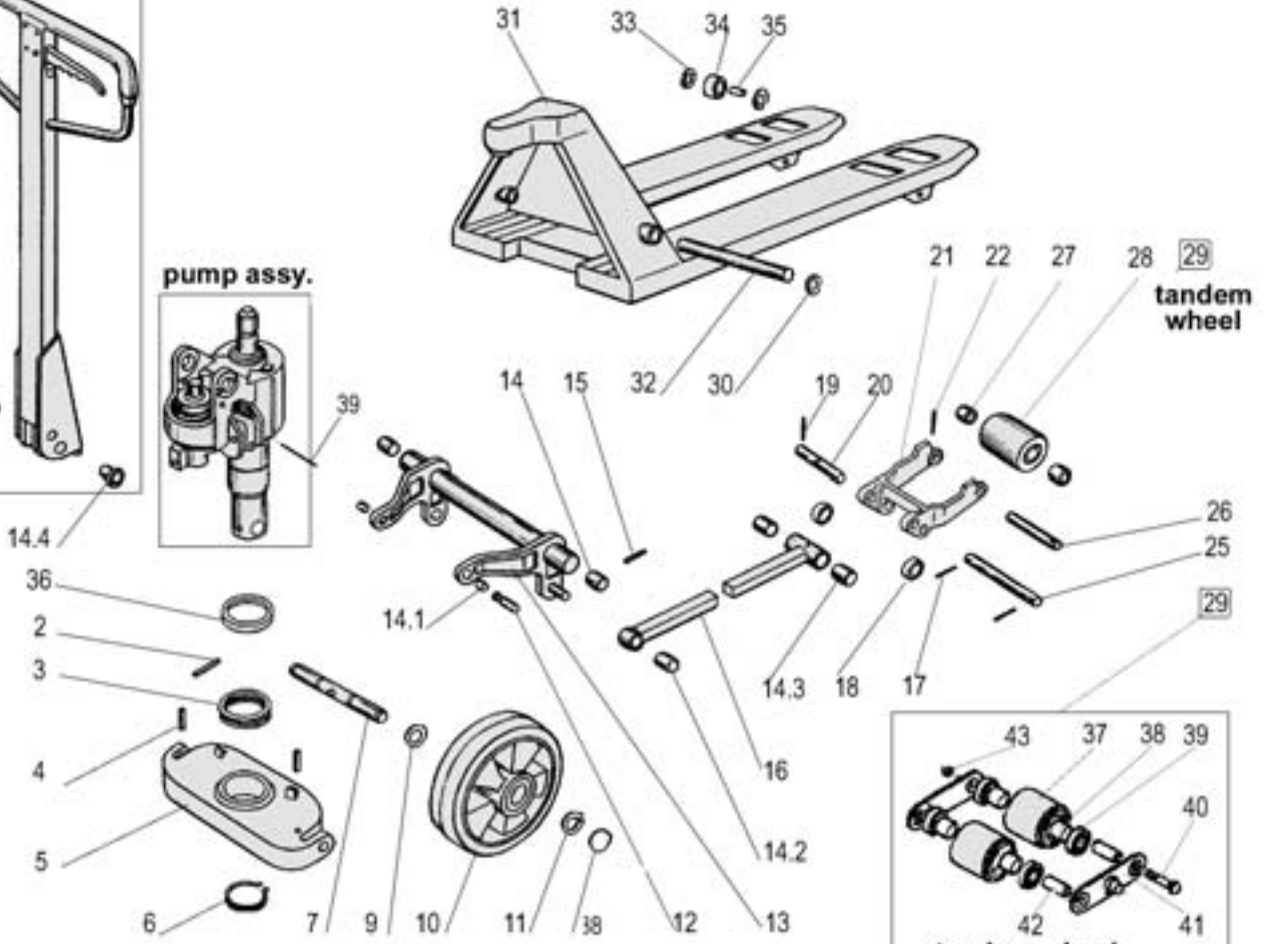
OEM references are purely indicative and do not imply that parts originate from the forklift manufacturer.

SPARE PARTS USED FOR EUROLIFTER

handle assy.



pump assy.



COMPLETE SEAL KIT



REF 107TA6865

OEM references are purely indicative and do not imply that parts originate from the forklift manufacturer.

Fig.	REF	Qty.	Description	Fig.	REF	Qty.	Description
H0	107TA6866	1	HANDLE ASSY.	37,2	107TA6926	4	PU LOAD WHEEL
P0	107TA6867	1	PUMP ASSY.	37,3	107TA6927	4	URETHANE LOAD WHEEL
1	107TA6868	1	HANDLE & PUMP ASSY.	37,1W	107TA6928	4	37.1 WITHOUT BEARING
2	107TA6869	2	SPRING PIN	37,2W	107TA6929	4	37.2 WITHOUT BEARING
3	107TA6870	1	BEARING	37,3W	107TA6930	4	37.3 WITHOUT BEARING
4	107TA6871	2	SPRING PIN	28,7	107TA7787	4	BEARING OF 37
5	107TA6872	1	PRESSURE PLATE	28,8	107TA6913	8	PLASTIC COVER OF 37
6	107TA6873	1	CIRCLIP	28,9	107TA6914	8	METAL CIRCLIP OF 37
7	107TA6874	1	WHEEL SHAFT	38	107TA6931	8	WASHER
9	107TA6875	2	WASHER	39	123TA9043	8	BEARING
10			STEERING WHEEL ASSY.	40	107TA6933	4	AXLE
10,1	107TA6876	2	NYLON WHEEL	41	107TA6934	4	WHEEL FRAME PLATE
10,2	107TA6877	2	PU COVER CAST IRON	42	107TA6935	4	BUSH OF AXLE
10,3	107TA6878	2	RUBBER COVER ALUMINUM	43	107TA6936	4	NUT
10,4	107TA6879	2	PU COVER ALUMINUM	1-1.	107TA6937	1	STOP RUBBER
10,5	107TA6880	2	STEERING WHEEL BEARING	1-2.	107TA6938	1	SPRING PIN
10,1W	107TA6881	2	10.1 WITHOUT BEARING	1-3.	107TA6939	1	HANDLE
10,2W	107TA6882	2	10.2 WITHOUT BEARING	1-4.	107TA6940	1	SPRING PIN
10,3W	107TA6883	2	10.3 WITHOUT BEARING	1-5.	107TA6941	1	SPRING PIN
10,4W	107TA6884	2	10.4 WITHOUT BEARING	1-6.	107TA6942	1	LOWERING LEVEL
10,10	107TA6885	2	URETHANE COVER ALUMINUM	1-8K	107TA6943	1	KITS OF CHAIN(1-7 1-8 1-9)
10,10W	107TA7785	2	10.10 WITHOUT BEARING	1-7.	107TA6944	1	LINKAGE
10,12	107TA6886	2	CAP OF EUROLIFT WHEEL	1-8.	107TA6945	1	CHAIN
11	107TA6887	2	CIRCLIP	1-9.	107TA6946	1	CHAIN ROD
12	107TA6888	2	ARM PIN	1-10.	107TA6947	1	PRESSURE ROLLER
13	107TA8690	1	LIFT ARM OF 540	1-11.	107TA6948	1	SHAFT
13,1	107TA6890	1	LIFT ARM OF 685	1-12.	107TA6949	1	SHAFT
14	107TA6891	2	COPPER BUSH	1-13.	107TA6950	1	SPRING PIN
14,1	107TA6892	2	COPPER BUSH	1-14.	107TA6951	1	SPRING PLATE
14,2	107TA6893	2	COPPER BUSH	1-16.	107TA6952	1	SPRING CAP
14,3	107TA6894	4	COPPER BUSH	1-17.	107TA6953	1	SPRING
14,4	107TA6895	2	COPPER BUSH	1-18.	107TA6954	1	PLUNGER ASSY.
15	107TA6896	2	SPRING PIN	1-19.	107TA6955	1	SEAL DH18
16	107TA6897	2	PUSH ROD	1-20.	107TA6956	1	SEAL DH18
17	107TA6898	4	SPRING PIN	1-21.	107TA6957	1	SCREW
18	107TA6899	4	EXIT ROLLER	(1-21.)	107TA6958	1	SPRING PIN
19	107TA6900	2	SPRING PIN	1-22.	107TA6959	1	PUMP BODY
20	107TA6901	2	SHAFT	1-23.	107TA6960	2	WASHER
21	107TA6902	2	LOAD WHEEL FRAME	1-24.	107TA6961	2	SCREW PLUG
22	107TA6903	2	SPRING PIN	1-25.	107TA6962	1	O-RING
25	107TA6904	2	SHAFT	1-26.	107TA6963	1	SEAL UN32
26	107TA8762	2	SHAFT	1-27.	107TA6964	1	SCREW
27	107TA6906	4	WASHER	1-28.	107TA6965	1	PUMP CAP
28			SINGLE LOAD WHEEL ASSY.	1-29.	107TA6966	1	O-RING P62
28,1	107TA6907	2	NYLON WHEEL ASSY	1-30.	107TA6967	1	BALL
28,2	107TA6908	2	PU WHEEL ASSY	1-31.	107TA6968	1	CYLINDER
28,3	107TA6909	2	URETHANE WHEEL ASSY	1-32.	107TA6969	1	O-RING P31
28,1W	107TA6910	2	28.1 WITHOUT BEARING	1-33.	107TA6970	1	SEAL UN32
28,2W	107TA6911	2	28.2 WITHOUT BEARING	1-34.	107TA6971	1	PIN
28,3W	107TA6912	2	28.3 WITHOUT BEARING	1-35.	107TA6972	1	O-RING
28,7	107TA7787	2	LOAD WHEEL BEARING	1-36.	107TA6973	1	O-RING
28,8	107TA6913	4	PLASTIC COVER	1-37.	107TA6974	1	O-RING
28,9	107TA6914	4	METAL CIRCLIP	1-38.	107TA6975	1	ACTIVATOR
29			TANDEM LOAD WHEEL ASSY.	1-39.	107TA6976	1	BOLT
29,1	107TA6915	2	NYLON WHEEL ASSY.	1-40.	107TA6977	1	NUT
29,2	107TA6916	2	PU WHEEL ASSY.	1-41.	107TA6978	1	SPRING PIN
29,3	107TA6917	2	URETHANE WHEEL ASSY	1-42.	107TA6979	1	VALVE ASSY.
30	107TA6918	2	CIRCLIP	1-43.	107TA6980	1	O-RING
31	-	1	FORK BODY	1-44.	107TA6973	1	WASHER
32	107TA6919	1	LONG SHAFT	1-45.	107TA6981	1	BOLT
33	107TA6921	2	CIRCLIP	1-46.	107TA6982	1	PU WASHER
34	107TA6922	2	ENTRY ROLLER	1-47.	107TA6983	1	PU WASHER
35	107TA6923	2	SHAFT	1-50.	107TA6984	1	OVERLOAD VALVE ASSY.
36	107TA6924	1	CAP OF BEARING	B2-21	107TA6985	1	WASHER
37			ONE WHEEL OF TANDEM LOAD WHEEL	B2-22	107TA6986	1	CIRCLIP
37,1	107TA6925	4	NYLON LOAD WHEEL				

SPARE PARTS USED FOR EUROLIFTER

HYDRAULIC OIL



REF 107TA7207
= hydraulic oil ISO 46 (5 Litres)

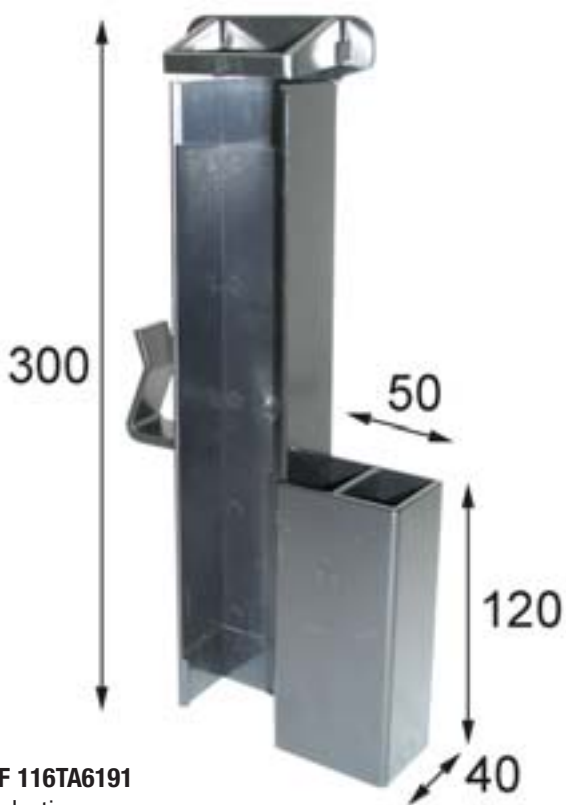
REF 107TA6578
= hydraulic oil, cold store -30° (1 Litre)

DECAL



REF 107TA8375
Dimensions: 115 x 115 mm

PEN TOOL BOX FOR BT PALLETTRUCKS



REF 116TA6191
In plastic

*For more info
please contact us !*

RESERVOIR



REF 106TA6772
Used for MIC TM 2000

ROD



*This is only a selection.
For all other pallettruck parts
please contact us!*

REF 106TA6773
Rod used for MIC TM 2000
REF 106TA6776
Used for MIC TM 22

CAP



REF 106TA6782
Used for Bolzoni TSM 2,2 TON

STEERING BAR



REF 106TA6777
Used for BT L2000

STEERING BAR



REF 105TA4600
Used for MIC TM 2000

STEERING BAR



REF 106TA6775
Used for MIC TM 22

PUMP



REF 105TA4609
Used for MIC TM 2000

VALVE



REF 106TA6783
Used for lifter GS

BALL BEARING



REF 106TA6778 (Std.)
REF 106TA6785 (Stainless steel)
Used for BT L2000

THRUST BEARING



REF 106TA6779 (Std.)
REF 106TA6786 (Stainless steel)
Used for BT L2000

HANDLE



REF 106TA6780
Used for BT L2000

PLATE



REF 106TA6781
Used for BT L2000

WHEEL FORK



REF 103TA7872
Used for MIC TM 2000

WHEEL FORK



REF 103TA7877
Used for BV/Rocla 115/PV25

WHEEL HOLDER



REF 106TA6774
Used for MIC TM 2000

PROTECTION RH/LH



REF 106TA6788

Protection RH used for BT LT2000/10/11

REF 106TA6787

Protection LH used for BT LT2000/10/11

HOUSING CONTROL HEAD



*This is only a selection.
For all other pallettruck parts
please contact us!*

REF 106TA6800

Used for YALE/DECA MP16/30

PUSH BUTTON



REF 106TA6789

Used for BT LT2000/10

THRUST BEARING



REF 106TA6790

Used for BT LT2000/10 BT PPT-PPS MX

RUBBER PROTECTION



REF 104TA1487

Used for BT LT2000/10

PLATFORM



REF 105TA4760

Mounting dia: 15 mm

REF 106TA6791

Mounting dia: 20 mm

Used for BT LT/2000/10

RH /LH PROTECTION



REF 105TA4777

RH protection used for JH EJE

REF 106TA6799

LH protection used for JH EJE

BRAKE PAD



REF 106TA6792

Used for MIC A160 A180 A200 G120

HYDRAULIC UNIT



REF 106TA6793

Used for MIC A160 A180 A200

MICRO SWITCH BRAKE



REF 106TA6794

Used for MIC A160 A180 A200

ROD: FORK LENGTH: 1150 MM



REF 106TA6795

Used for MIC A160 A180 A200 A18

CONSOLE



REF 106TA6796

Used for BT PPT MX

CASTOR WHEEL



REF 106TA6797

Used for BT PPT PPS MX

HANDLE



REF 105TA4602

Used for BT LT 2200 / 11 PPT-PPS MX

DAMPING OF CONTROL SHAFT



REF 106TA6798

Used for JH ERE ERC '94



SPRING FOR RELEASE HANDLE



REF 106TA7031
Spring to release handle
Used for MIC TM 2000

RESERVOIR CAP



REF 106TA7032
Cap of reservoir used for MIC TM 2000

AXLE



REF 106TA7033
Axle Ø17x162 used for MIC TM 2000

PROTECTION CAP FOR RESERVOIR



REF 106TA7034
Protection cap for reservoir used for MIC TM 2000



CAP FOR SPRING



REF 106TA7046
Cap for spring used for MIC TM 2000

SHAFT HANDLE



REF 106TA7035
Shaft handle Ø18 x 122
used for MIC TM 2000

PRESSURE VALVE



REF 106TA7036
Pressure valve used for MIC TM 2000

RELEASE VALVE



REF 106TA7037
Release valve used for MIC TM 2000

AXLE



REF 106TA7044
Axle Ø 17 x 100 used for BT L2000

CLIMBER WHEEL



REF 106TA7045
Climber wheel used for BT L2000

PROTECTION CAP



REF 106TA7040
Protection cap wheel
used for linde T16 typ 360

PROTECTION CAP



REF 106TA7041
Protection cap wheel
used for BT PPT MX

RELEASE HANDLE



REF 106TA7042
Release handle used for MIC TM 2000

PUMP PISTON



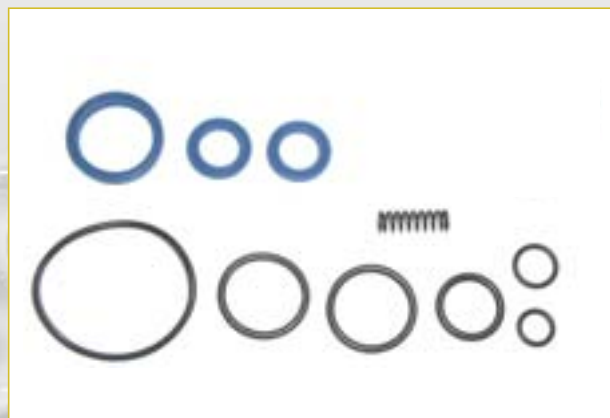
REF 106TA7043
Pump piston used for BT L2000/7/9

OEM references are purely indicative and do not imply that parts originate from the forklift manufacturer.

TYPE	REF complete seal kit
Bolzoni TSM 2,2t Std Bolzoni TSM 2,2t Quicklift Bolzoni 3,0t	107TA6987 107TA6988 107TA6989
BT L2000/7/9 BT L2000/10/11 BT L2000/10/11 Quick BT L23 BT L23 Quick BT 3000 BT 5000 BT L3000 BT L3000/11	107TA6575 107TA6576 107TA6990 107TA6576 107TA6990 107TA6991 107TA6992 107TA6993 107TA6994
Bulli FK2000 03/'89 Bulli FK2500 03/'89 Bulli FK3000 03/'89 Bulli 2000 old Bulli 2500/3000 old type	107TA6995 107TA6996 107TA6997 107TA6998 107TA6999
BV Vestergaard 115 BV Vestergaard 115R inox BV Vestergaard PV25 BV Vestergaard PV25R inox BV Vestergaard HPV-8	107TA7000 107TA7001 107TA7001 107TA7001 107TA7002
Crown PTH from series 3-118400 until 3-183849 Crown PTH from series 3-183850 Crown PTH 50	107TA7003 107TA7004 107TA7005
Eurolifter	107TA6865
FABA HY-G 12/16/23 until series 33742 FABA HY-G 12/16/23 from series 33743 FABA HY-G 30	107TA7006 107TA7007 107TA7008
Jungheinrich AM2000 Jungheinrich AM22	107TA7009 107TA7010
Kinglift II	107TA7011
Kentruck SH/SHQ/SHS 2000/2500 Kentruck DH/DHS 2000/2500	107TA7012 107TA7013
Lansing DH18 / POHP18	107TA7014
Lifter GS Std Lifter GS Galva / Inox Lifter GS Quicklift Lifter HL10/E Lifter HL10/M	107TA7015 107TA7016 107TA7017 107TA7018 107TA7019
Linde M20 '93 Linde M22 Linde M25 '93 Linde M30 '93	107TA7020 107TA7021 107TA7022 107TA7023
Logitrans GL2500/3000 & PV75/2000	107TA7024
Metilev TX / TS	107TA7025
Mic TM2000 Mic HPS Mic TMX 1000 Mic TMXE 1000 Mic TM22 Mic TM22 Quick	107TA6689 107TA7026 107TA7027 107TA7028 127TA2472 107TA7029
Nielsen Holst PL15/25/30 Series 33/34/35/36/37	107TA7030
Steinbock HU2/2,3 Steinbock WH20/23 Mk IX-A Steinbock WH20 Mk X-A Steinbock WH22	107TA7031 107TA7032 107TA7033 107TA7034
Rocla RH25 / RHG25 / RHS 25 Rocla RH24 Rocla R23	107TA7035 107TA7036 107TA7037
Still Wagner HP11-22 (L83) Still Wagner HP20 Still Wagner HP30 Still Wagner HP22 (2000) Still Wagner HP22 Quick (2000)	107TA7038 107TA7039 107TA7040 107TA7041 107TA7042
Toyota HT20 / HT20I / HT20K	107TA7043
Yale HP22 / 22I Quicklift	107TA7044



REF 107TA6575
kit for BT L2000/7/9



REF 107TA6865
kit for EUROLIFTER



REF 107TA6689
kit for MIC TM2000