



LPG SYSTEM PARTS

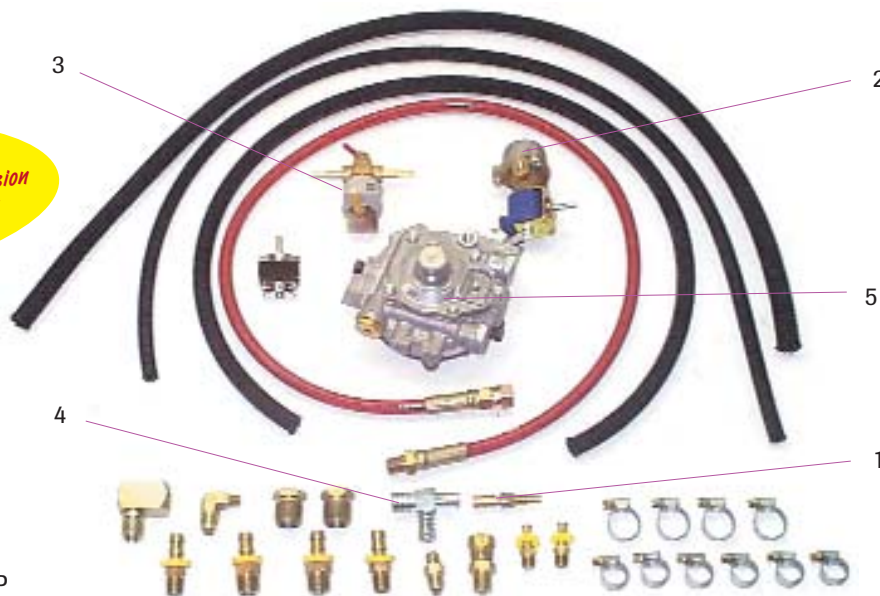
- AISAN
- ALGAS
- BEAM
- BEDINI
- BOSCH
- CENTURY
- IMPCO**
- J&S
- LANDI-HARTOG
- LANDI
- LOVATO
- RENZO-LANDI
- WEBER
- MARVEL SCHEBLER
- ZENITH-BENDIX

Please contact us for any other gas accessories,

UNIVERSAL LPG KIT

This is a conversion kit petrol/lpg.
 The kit can be fitted on different makes of forklifts up to 60 HP or up to 120HP. Includes an injector (1) that must be mounted in the middle of the venturi in the carburetor. The injector has a thread size of M8x1,5. This kit also includes: LPG lock-off (2) , petrol lock-off (3), flow regulator (4), regulator (5), all the hoses and all the fittings to mount the kit easily.

This is just a selection of our LPG conversion kits. For all other LPG conversion kits, send us your full truck details!



REF 106TA2858
 Conversion kit LPG < 60 HP

REF 106TA2859
 Conversion kit LPG for < 120HP

GAS CONVERSION KIT



REF 106TA2857
 Gas conversion kit for Nissan with H20-II/H25 engine.

GAS CONVERSION KIT



REF 106TA2856
 Gas conversion kit for Toyota with 4Y engine.

L.P. GAS FUEL TANK IN CONFORMITY WITH DIRECTIVE 99/36/EC (TPED)



THE NETHERLANDS + BELGIUM
Capacity 40 litres
Ø 300 mm x 681 mm length

REF 106TA2896 HANSEN FITTING & ACME FILLER

REF 107TA1725 HANSEN FITTING & BAYONET FILLER

L.P. GAS FUEL TANK IN CONFORMITY WITH DIRECTIVE 97/23/EC (TPED)



FRANCE + BELGIUM
Ø 360 mm

55L = REF 106TA2891 Fr. length : 646 mm
= REF 107TA1721 Belg.

70L = REF 107TA1722 Fr. length : 806 mm
= REF 112TA1148 Belg.

85L = REF 107TA1723 Fr. length : 970 mm
= REF 112TA1149 Belg.

100L = REF 107TA1724 Belg. length : 1115 mm
= REF 112TA1150 Fr.

L.P. GAS FUEL TANK IN CONFORMITY WITH DIRECTIVE 99/36/EC (TPED)



THE NETHERLANDS + BELGIUM
Capacity 36 litres
Ø 300 mm x 720 mm length

REF 106TA2887 HANSEN FITTING & ACME FILLER

REF 106TA2888 ROSS FITTING & ACME FILLER

REF 107TA1719 HANSEN FITTING & BAYONET FILLER (80%)

REF 107TA1720 ROSS FITTING & BAYONET FILLER (80%)

L.P. GAS FUEL TANK

For Germany only



TÜV certified tanks for Germany

REF 107TA1716 36 L

REF 107TA1717 40 L

REF 105TA4825 55 L (PICTURE)

REF 107TA1718 85 L

MANCHESTER - ALUMINIUM LPG TANK



REF 119TA9830

- LPG capacity: 30,4L
- Water capacity: 36 Kg
- Collar diameter: 267mm
- Height: 705mm
- Fuel weight/full: 15,07 Kg

spare parts:	REF
male connector	106TA2876
liquid service	123TA2019
sight gauge	123TA2020
filler valve	107TA9350



MANCHESTER - STEEL LPG TANK



REF 119TA9832

- LPG capacity: 30,40L
- Water capacity: 36 Kg
- Tare: 16,20 Kg
- Collar diameter: 260mm
- Height: 692mm
- Fuel weight/full: 15,07 Kg

REF 122TA7767

- LPG capacity: 38L
- Water capacity: 46,80 Kg
- Tare: 19,35 Kg
- Collar diameter: 260mm
- Height: 846mm
- Fuel weight/full: 19,57 Kg

REF 119TA9834

- LPG capacity: 30,40L
- Water capacity: 36,00 Kg
- Tare: 16,20 Kg
- Collar diameter: 260,40mm
- Height: 692,20mm
- Fuel weight/full: 15,07 Kg
- No filler valve on this model

spare parts:	REF
male connector	106TA2876
liquid service	123TA2019
sight gauge	123TA2020
filler valve	107TA9350

FILL-UP CONTROL

REF 123TA7324

This is an electronic system that offers safety when filling an LPG-tank:

Advantages:

- Shuts off the engine when connecting the filling pistol
- Impossible to start the engine when filling pistol is connected
- Easy to mount

How it works:

When the receiver detects the filling pistol, it will send a signal to the electronic box and will cut-off the engine through the ignition circuit and through the contact circuit.



UNIVERSAL BRACKET

SINGLE

DOUBLE

This is just a selection of our range of LPG system parts.



REF 105TA4819

L: 490 mm

REF 107TA1728

L: 380 mm

Tilt forward

For all diameters



REF 107TA9652

Double bottle carrier



GAS BOTTLE BRACKET



REF 107TA1727

Ø 360 mm

GAS BOTTLE BRACKET



REF 106TA2902

for gas cylinder

dia.: 300 mm Ø

GAS BOTTLE BRACKET



REF 122TA7592

double bottle carrier

TILT BRACKET

REF 106TA2900



TOGGLE

REF 106TA2899



TILT BRACKET



REF 106TA2903

Tilt bracket

ATTACHMENT BOTTLE



REF 107TA9076

TILT FORWARD BRACKET



This is just a selection of our range of LPG system parts.

REF 111TA3747
Ø 320 mm

STAND-UP BRACKET



REF 111TA3748
Ø 320 mm

QUICK-CHANGE BRACKET



REF 106TA2910

BRACKET



REF 106TA2908

NYLON STRAP FASTENER



REF 105TA4856
Capacity : 1000 kg

NYLON STRAP FASTENER



for all applications

REF 105TA4855
Length : 5 m
Width : 25 mm
Capacity : 400 Kg

NYLON STRAP FASTENER



REF 124TA2791
Length : 1,15 m
Capacity : 1500 Kg
Assembly strength: 750 Kg
With safety hook
Not for lifting

TANK CASE



REF 107TA9326
LPG Case for WVM tanks

TANK ACCESSORIES



REF 107TA9391
3-way valve

LOCK-OFF VALVE 12V + FILTER



REF 105TA4828

CONTR. KIT BOTTLE



REF 106TA2907
Indicator for bottle

LPG FILTER KIT



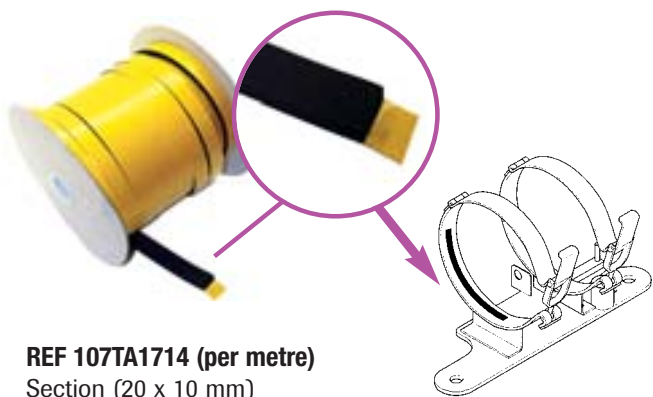
REF 106TA2909
Filter for REF 105TA4828

INDICATOR KIT



REF 105TA4832
Indicator for tank

RUBBER INSULATOR TO PROTECT LPG TANKS



REF 107TA1714 (per metre)
Section (20 x 10 mm)

LPG FILTER



REF 107TA9300
1/4 NPT female x 1/4 NPT male

LEAK DETECTOR



REF 107TA1712
400 ml

Aerosol spray for quick gas leak detection.

TEFLON TAPE



REF 107TA1713

GAS HOSE ASSEMBLIES - DIN 4815T4 - 5/16 (8 MM)



A	500 mm
B	750 mm
C	1000 mm
D	1250 mm
E	1500 mm
F	1750 mm
G	2000 mm

example:
2 x A x 2



1/4NPT MALE



3/8SAE (5/8UNF)



3/8SAE - 90°
(5/8UNF)



5/16SAE (1/2JIC)



5/16SAE - 90°
(1/2JIC)



combination

REF

1 x B x 1	122TA7593
1 x D x 1	122TA7594
1 x E x 1	122TA7595
1 x F x 1	122TA7596

1 x B x 3	107TA1706
1 x C x 3	107TA1707
1 x E x 3	107TA1708

1 x A x 4	122TA7597
1 x B x 4	122TA7598
1 x C x 4	122TA7599

2 x B x 1	107TA1702
2 x C x 1	107TA1703
2 x D x 1	107TA1704
2 x E x 1	107TA1705
2 x F x 1	106TA2870

2 x A x 2	107TA1696
2 x B x 2	107TA1697
2 x C x 2	107TA1698
2 x D x 2	107TA1699
2 x E x 2	107TA1700
2 x F x 2	107TA1701

4 x A x 4	122TA7600
4 x B x 4	122TA7601
4 x C x 4	122TA7602
4 x E x 4	122TA7603

4 x B x 5	122TA7604
-----------	-----------

If your combination is not listed, please select end fitting and length and fax us your combination...

GAS HOSE ASSEMBLIES - DIN 51622 - 3/8 (10 MM)



T	500 mm
U	750 mm
V	1000 mm
W	1250 mm
X	1500 mm
Y	1750 mm
Z	2000 mm

combination

REF

6 x V x 7	122TA7605
6 x X x 7	122TA7606



3/4JIC - 90°



5/8JIC



PLASTIC PROTECTIVE COIL SLEEVE



REF per m	inner dia.
106TA6455	7
106TA6456	9
106TA6457	13
106TA6458	16
106TA6459	20
106TA6460	25
106TA6461	30
106TA6462	40
106TA6463	50

STEEL PROTECTIVE FLAT COIL SLEEVE



REF per m	inner dia.
106TA6464	13
106TA6465	15
106TA6466	17
106TA6467	19
106TA6468	21
106TA6469	23
106TA6470	26
106TA6471	29
106TA6472	33
106TA6473	41
106TA6474	48
106TA6475	54



LPG SYSTEM PARTS

COUPLING



REF 106TA2878
coupling female

SWITCH



REF 106TA2877

COUPLING



REF 106TA2876
coupling male

MANO CONTACT



REF 107TA1709
(1/4 NPT) - 2,5 bar

REF 107TA1710
(1/8 NPT) - 2,5 bar

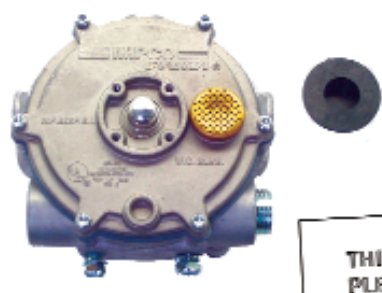
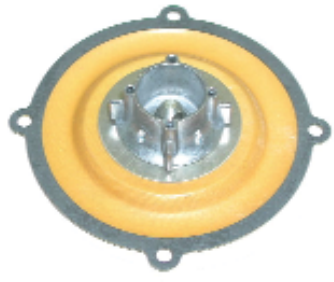
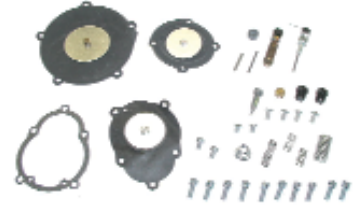
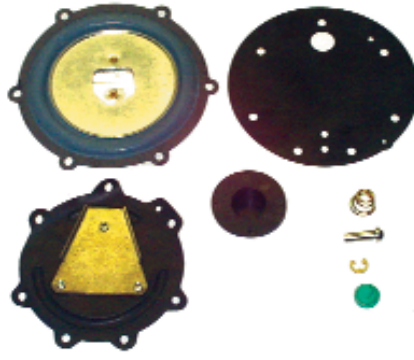
FORKLIFT ADAPTOR KIT



REF 111TA3746

No more stranded forklifts!
The return reserve kit allows 5-10 minutes to complete tasks and return to cylinder exchange rack. Eliminating downtime caused by running out of fuel.



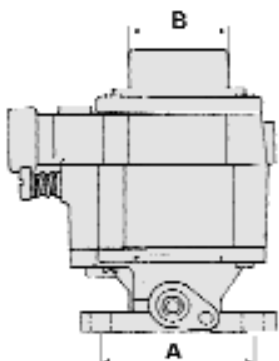


THIS IS ONLY A SMALL SELECTION OF WHAT WE CAN OFFER
PLEASE CONTACT OUR SALES DEPARTMENT FOR MORE INFO

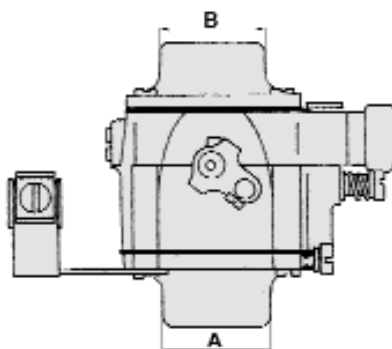


LPG SYSTEM PARTS

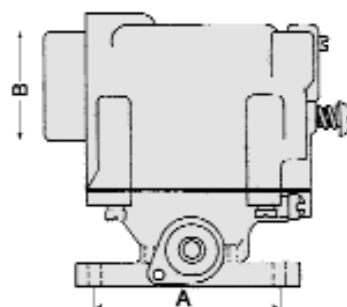
TYPE: 1



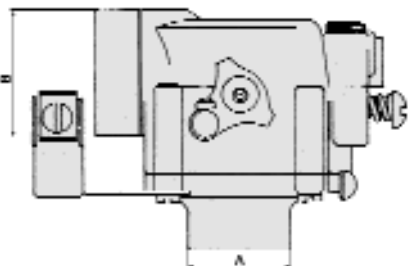
TYPE: 2



TYPE: 3



TYPE: 4



Company:

Customer code:

Name:

Fax number:

CA50-CA55

Type:

Engine:

Model:

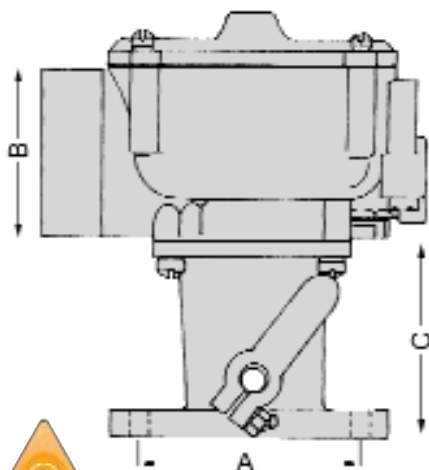
A: mm

B: mm

LPG SYSTEM PARTS



TYPE: CA100



Company:

Customer code:

Name:

Fax number:

CA100

Engine:

Model:

A: mm

B: mm

C: mm

FILTER LOCK-OFF VAC.



REF 105TA4822
MOD. VFF 30

IMPCO REPAIR KIT



REF 105TA4823
Repair kit for VFF 30
(REF 105TA4822)

REGULATOR COBRA



REF 107TA1732

REPAIR KIT COBRA



REF 107TA1730

COBRA WITH CAP



REF 107TA1731
with PROTECTION CAP

REPAIR KIT COBRA WITH CAP



REF 107TA1729
with PROTECTION CAP

IMPCO REPAIR KIT



REF 105TA4821
For regulator Mod. J
(REF 105TA4820)

REGULATORS AND REPAIR KITS

MODEL LB



REF 107TA9162
Regulator model LB

IMPCO REPAIR KIT



REF 107TA9163
Repair kit model LB

REPAIR KIT CA 55



REF 107TA1735

MODEL CA 100



REF 107TA9194 (d= 1" 1/2)
REF 107TA9200 (d= 1" 5/8)
REF 107TA9195 (d= 1" 7/8)
REF 107TA9196 (d= 1" 1/16)
REF 107TA9197 (d= 1" 5/16)

REPAIR KIT CA 100 - CA 125



REF 107TA9205 (cone 7 - silicon)
REF 106TA2922 (cone 7 - rubber)
REF 111TA3749 (cone 32 - silicon)
REF 111TA3750 (cone 47 - silicon)
REF 111TA3751 (cone 42 - rubber)

MODEL CA 125



REF 107TA9215

MODEL 60



REF 106TA6817
REGULATOR
type 60

REF 107TA7693 Repair kit

REPAIR KIT MODEL 60



REF 107TA7693
Repair kit model 60

MODEL 120



REF 107TA9102

REPAIR KIT MODEL 120



REF 107TA9101
Repair kit

IMPCO



REF 105TA4827
CARBURETOR
type CA 50/CA 55
for TOYOTA
4Y, 5K engine

REF 106TA2925 Repair kit CA50
REF 107TA1735 Repair kit CA55

IMPCO



REF 107TA1734
for engine
H20-II - H25
CARBURETOR

REF 106TA2925 Repair kit CA50
REF 107TA1735 Repair kit CA55

IMPCO



	DIAMETER A
REF 106TA2916	2"1/8 (54 mm)
REF 106TA2917	2"5/16 (58,7 mm)
REF 106TA2918	2"5/8 (66,7 mm)
REF 106TA2919	2"3/4 (70 mm)
REF 106TA2920	3"1/8 (80 mm)

USED FOR ALGAS



REF 106TA6816
REGULATOR
Model C250

REF 106TA2929
Repair kit

USED FOR AISAN



REF 106TA6815
REGULATOR
used for
TOYOTA
4P, 5P, 5R
engine

REF 106TA2930
Repair kit

USED FOR AISAN



REF 107TA1733
used for
Mitsubishi

USED FOR J & S



REF 106TA2924
VAPORIZER
type 11A27

REF 106TA2923
Repair kit

*This is just a selection
of our range of LPG system parts.*

USED FOR CENTURY



REF 106TA2928
FILTER LPG

USED FOR CENTURY



REF 106TA2927
REPAIR KIT

USED FOR CENTURY



REF 107TA9115
REGULATOR
85 HP model G

USED FOR CENTURY



REF 107TA9116
REPAIR KIT
(for 107TA9115)

USED FOR CENTURY



REF 107TA9113
REGULATOR
135 HP model H

USED FOR CENTURY



REF 107TA9114
REPAIR KIT
(for 107TA9113)

USED FOR CENTURY



REF 107TA9111
REGULATOR
350 HP model M

USED FOR CENTURY



REF 107TA9112
REPAIR KIT
(for 107TA9111)

*This is just a selection
of our range of LPG system parts.*

USED FOR LANDI-HARTOG



REF 106TA2934
REGULATOR
Type JH

REF 107TA7694
Repair kit

USED FOR LOVATO



REF 107TA1736
REGULATOR
LOVATO

REF 107TA7695
Repair kit

USED FOR RENZO LANDI



REF 106TA2932
REGULATOR

REF 107TA7696
Repair kit

USED FOR ZENITH-BENDIX



REF 106TA2931
CARBURETOR
REGULATOR

used for
CLARK
C500 Y30-50

LOCK-OFF VALVE



REF 106TA2937
1/4 NPT female
1/4 NPT male

*This is just a selection
of our range of LPG system parts.*

FILLER 80%



REF 106TA2938
for tanks:
Ø265 - 375 mm
45° - 52°

ACME FITTING FOR 80% FILLER



REF 107TA1737

CONNECTION



REF 106TA2936
5/16 SAE x M20

REF 105TA4829
3/8 SAE x M20

REF 107TA9387
Seal

FILLER



REF 105TA4830
3/4 NPT x 1/2 JIC

TANK GAUGE

REF 128TA4034
Seal
REF 107TA9370
Indicator



tank dia.	degrees	REF
270	90°	107TA9317
300	52°	107TA9318
300	0°	107TA9319
300	75°	107TA9320
300	90°	107TA9321
320	52°	107TA9322
360	52°	105TA4831

FILLER 80%



REF 106TA2938
for tanks:
Ø 265 - 375 mm
45° - 52°

FILLER 80%



REF 107TA9389
filler bayonet
for tanks:
40L
Ø 300 mm
0°

FILLER 80%



REF 107TA9355
filler ACME
for tanks:
40L
Ø 300 mm
0°

FILLER 80%



REF 111TA6206
filler bayonet
for tanks:
36L
Ø 300 mm
0°

FILLER 80%



REF 111TA6207
filler ACME
for tanks:
36L
Ø 300 mm
0°



COUPLING



REF 106TA2946
1/2 NPT x 5/8" 90°

*This is just a selection
of our range of LPG system parts.*

COUPLING



REF 106TA2942
3/8 NPT x 5/8" 90°

COUPLING



REF 106TA2945
3/8 NPT x 5/8"

COUPLING



REF 106TA2941
1/2 NPT x 5/8"

COUPLING



REF 106TA2944
1/4 NPT x M10 x 1 JIC

COUPLING



REF 106TA2939
M10 x 1 JIC x 5/16" JIC

QUICK-CHANGE COUPLING



REF 106TA2943
1/4" NPT Hansen female

QUICK-CHANGE COUPLING



REF 106TA2940
1/4" NPT Hansen male

BOTTLE CLAMP

**REF 107TA1738**

No more backaches from lifting LPG bottles.
Just use the bottle clamp. For all kinds of LPG bottles.



COMBUSTIBLE GAS LEAK DETECTOR

**REF 122TA7539**

Perfectly suitable to locate gas leaks in the installation area. By means of the flexible sensor neck, the sensor can be introduced in areas difficult to access. More advantages, of the easy handling, are the compact case, the integrated power supply and the well legible display.

The freely programmable alarm thresholds will be indicated via sonic signal and flashing display.

Measuring data can be saved in the internal memory or printed via the integrated IR interface.

FEATURES:

- indication in ppm, % or LEL
- 20 measurements can be stored, max value and average value
- range: 5 - 20 000 ppm
- alarm: acoustic signal and flashing display
- threshold freely programmable
- power supply, 2x batteries, LR6 AA
- +/- 8 hours continuous operation
- dimensions: 84 x 139 x 24 mm
- weight: 230 g